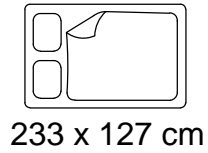
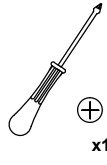
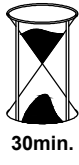
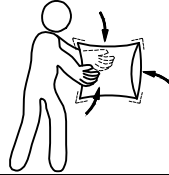
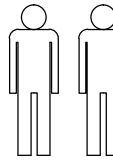


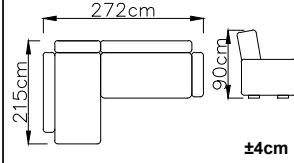
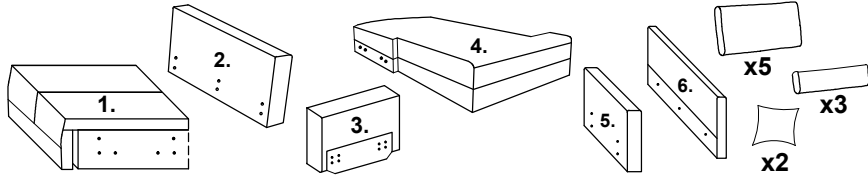
2019-04-24



MODEST corner



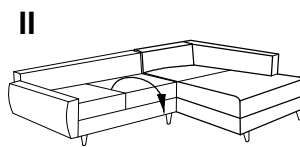
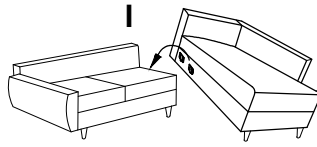
L R



a. x 3 h=120 MON00898	b. x 3 h=220 MON00925	c. x 3 h=120 MON00899	d. x 6 ø50x30 MON00735	e. x 3 MIM00015
--	--	--	---	-------------------------------



R



L

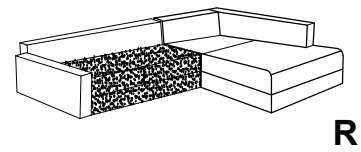


f. x 4 MME00202	g. x 2 MOI00101	h. x 4 MME00197	i. x 4 MME00197	j. x 2 ø50x3 MME00082
-------------------------------	-------------------------------	-------------------------------	-------------------------------	--

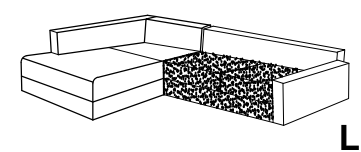
k. x 3 ø8 MME00017	l. x 6 M6x45 MME00224	m. x 34 M6x20 MME00189	n. x 12 4,5x40 MME00076	o. x 8 M6x25 MME00206
-------------------------------------	--	---	--	--

p. x 3 M8x55 MME00209	r. x 1 "4" MIW00062	s. x 1 "5" MIW00006	t. x 4 ø35x7 MOI00095
--	--------------------------------------	--------------------------------------	--

I

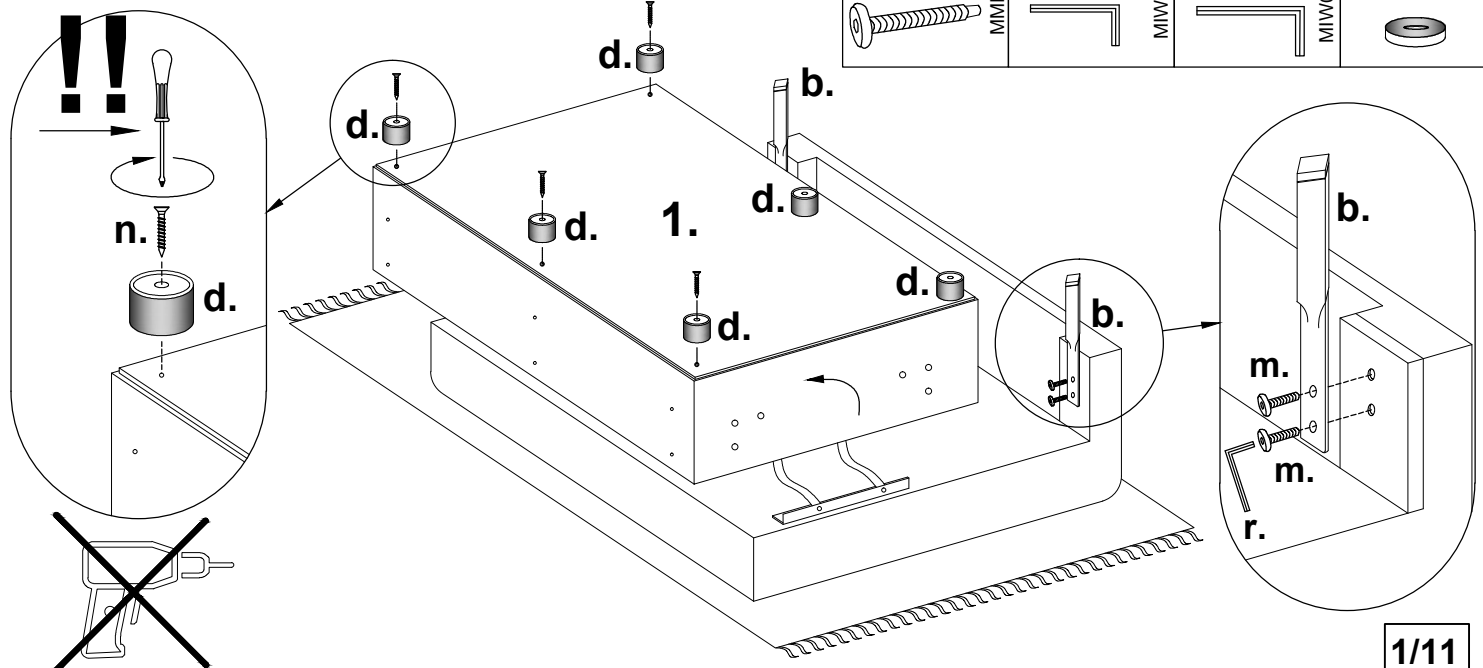


R



L

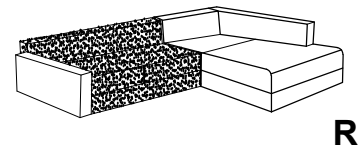
b. x 2 220
d. x 6 ø50x30
m. x 4 M6x20
n. x 6 4,5x40
r. x 1 "4"



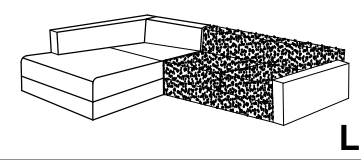
2019-04-24

MODEST corner

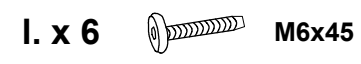
II



R



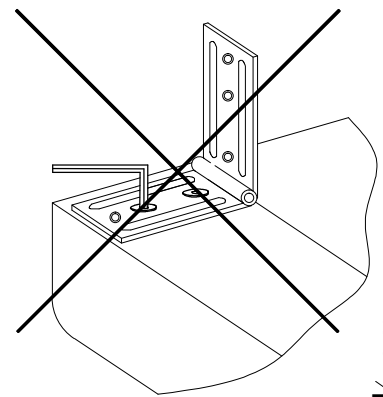
L



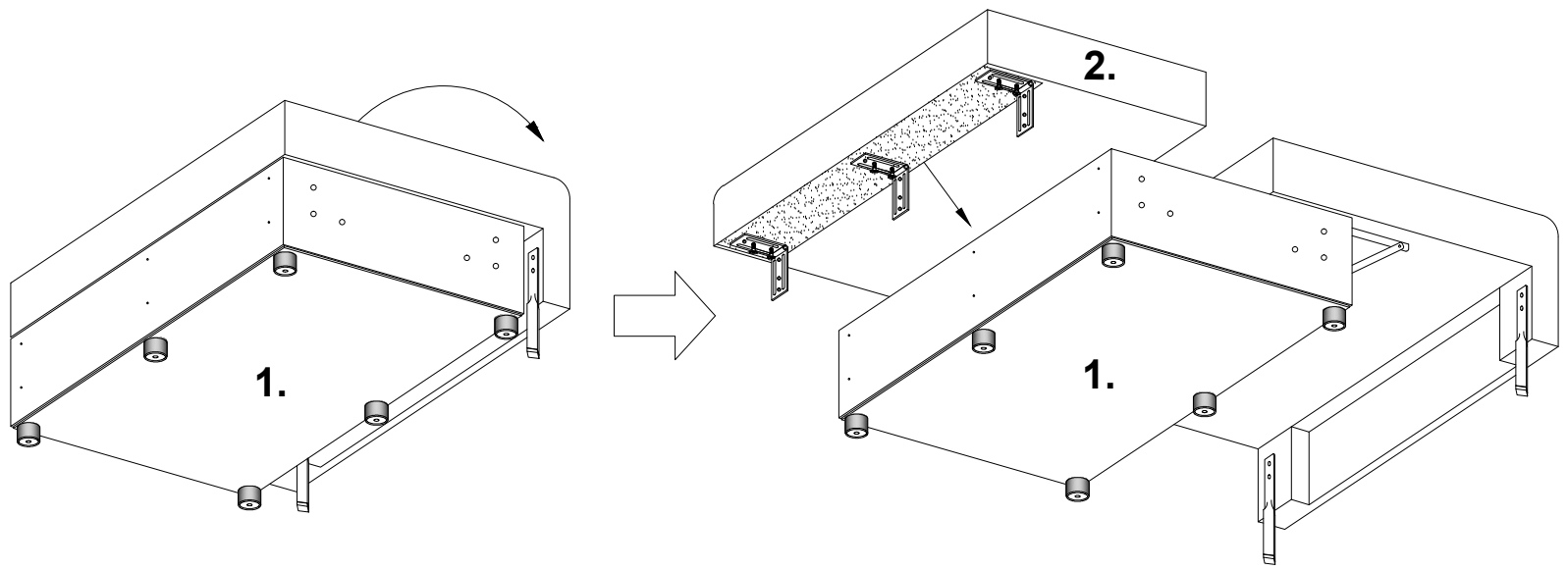
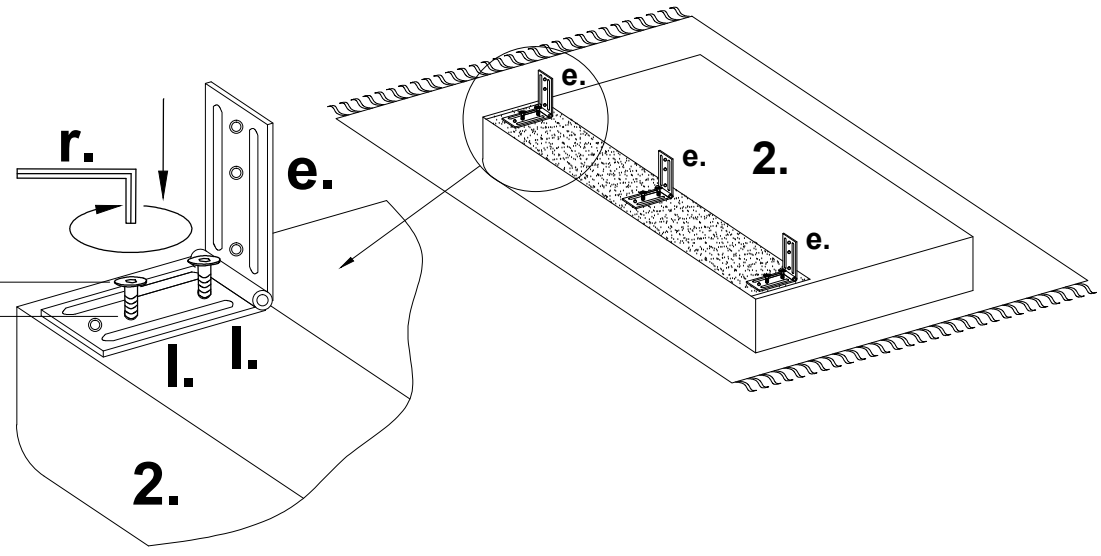
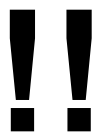
M6x45



"4"



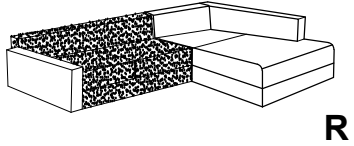
1/2 cm



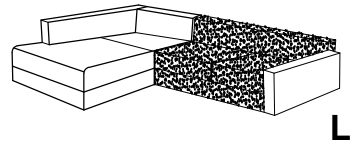
2019-04-24

MODEST corner

III

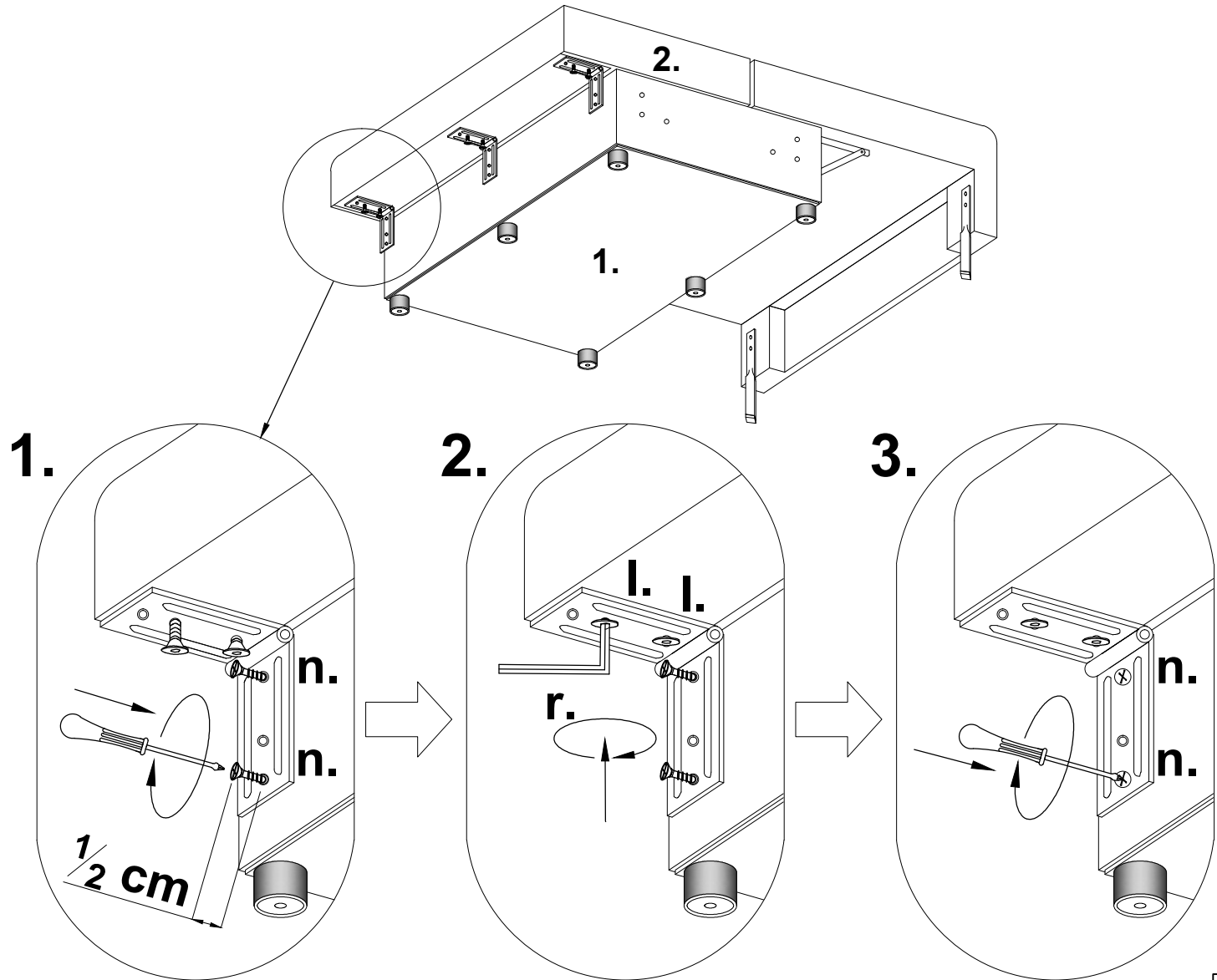
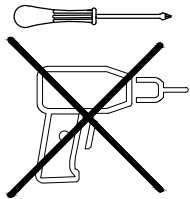


R



L

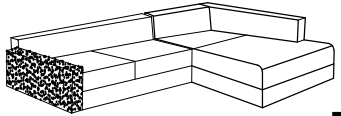
n. x 6  4,5x40



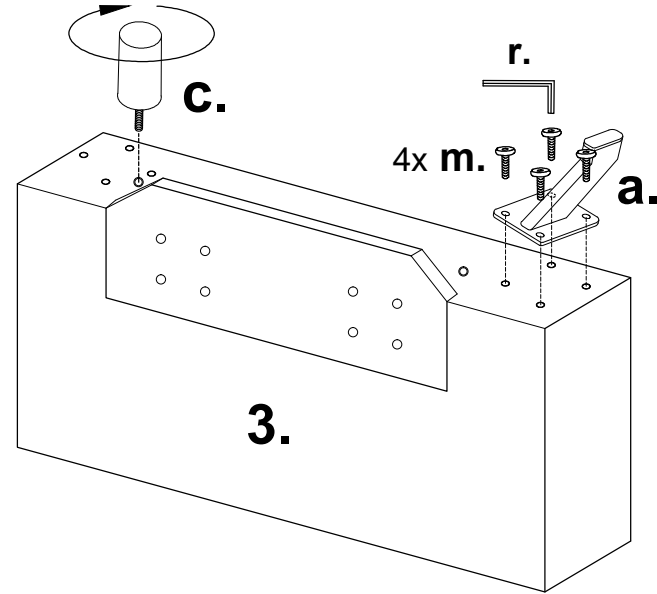
2019-04-24

MODEST corner

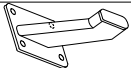
IV



R

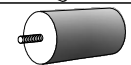


a. x 1



h=120

c. x 1



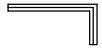
h=120

m. x 8

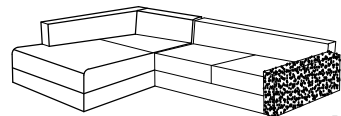
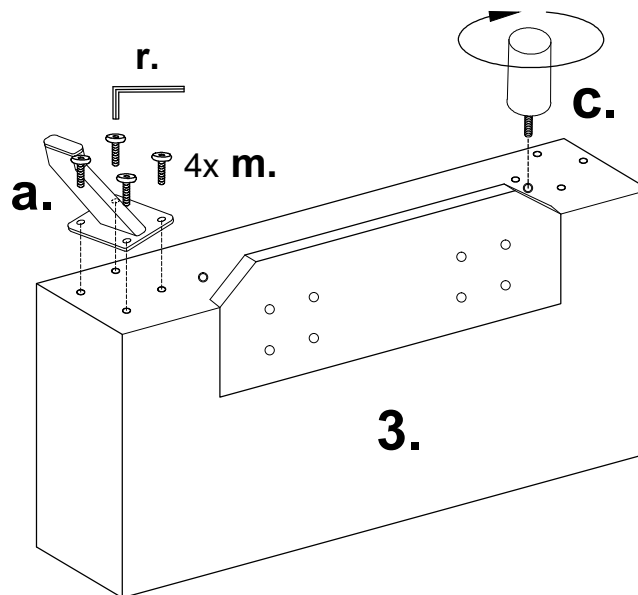


M6x20

r. x 1



"4"

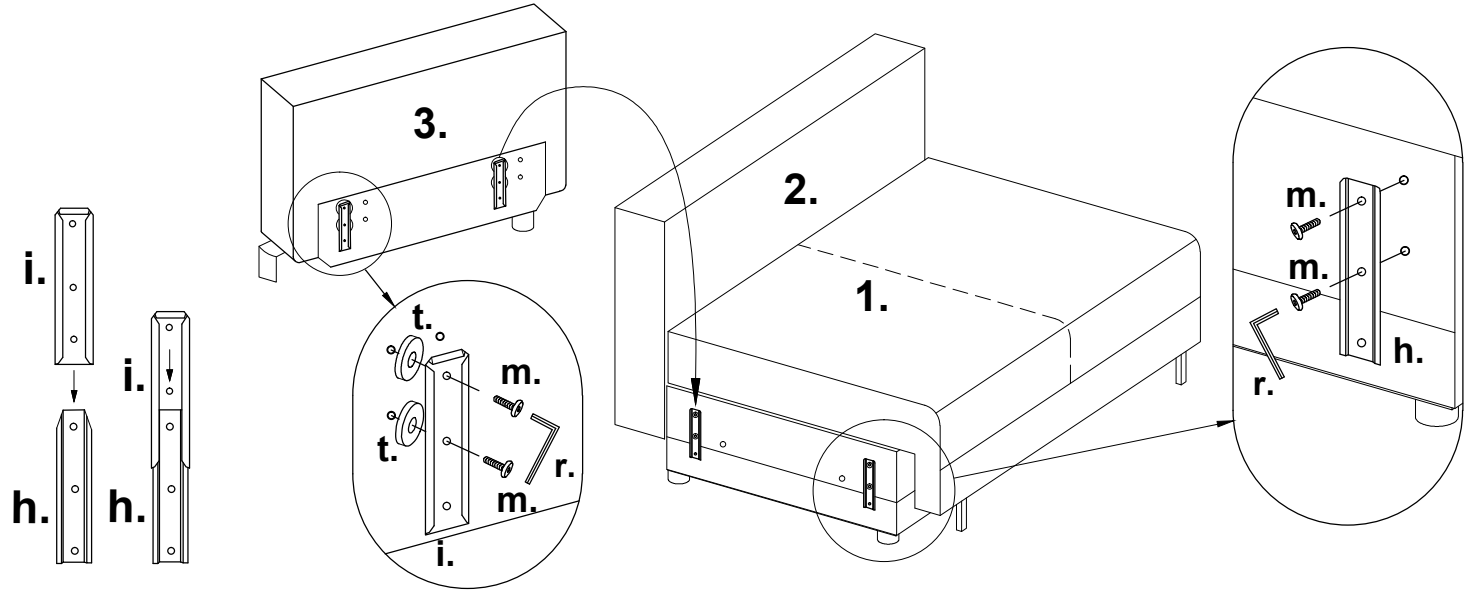
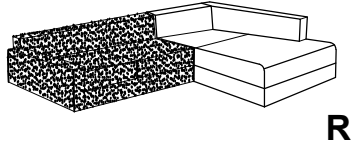


L

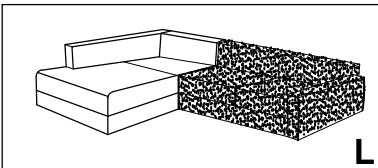
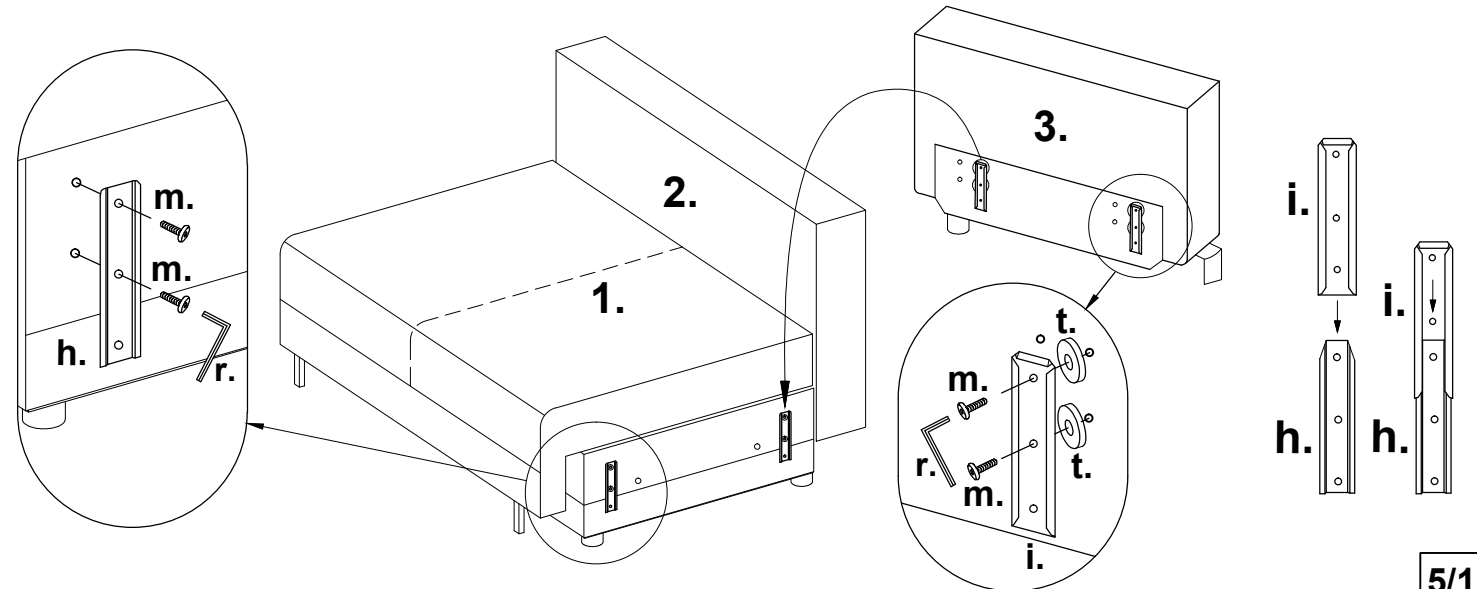
2019-04-24

MODEST corner

V



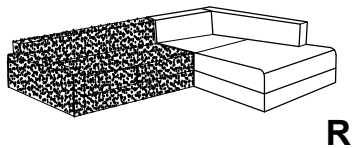
- h. x 2**
- i. x 2**
- m. x 8** M6x20
- t. x 4** Ø35x7
- r. x 1** "4"



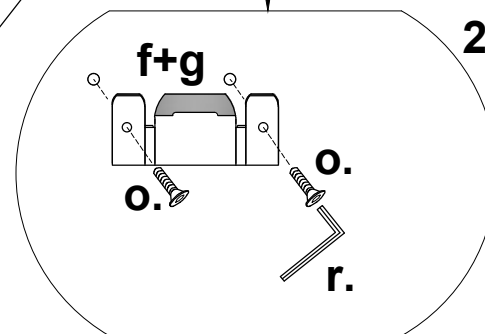
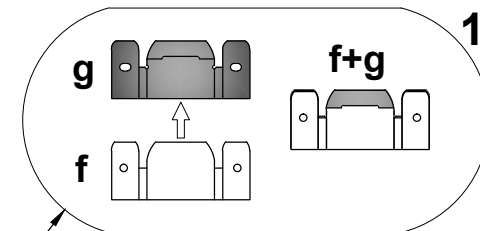
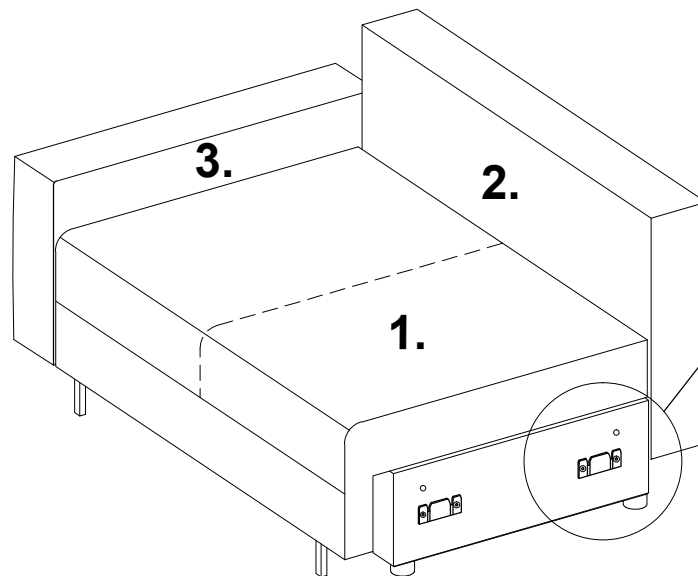
2019-04-24

MODEST corner

VI



R



f. x 2



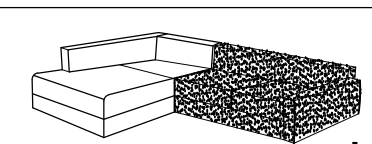
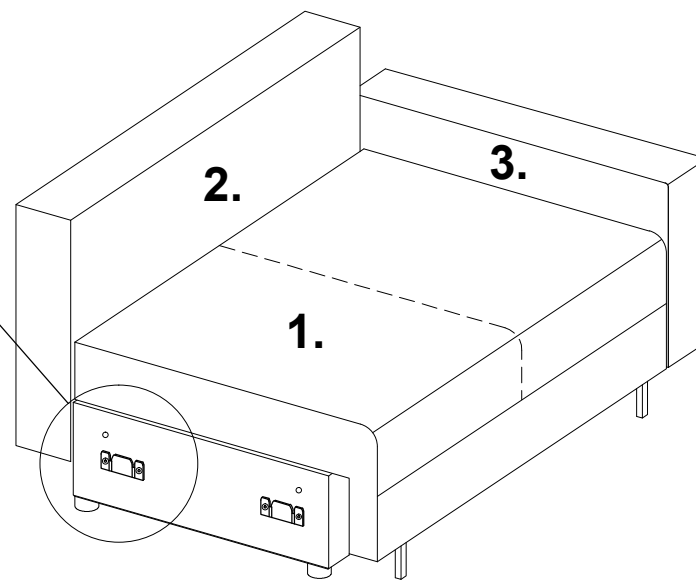
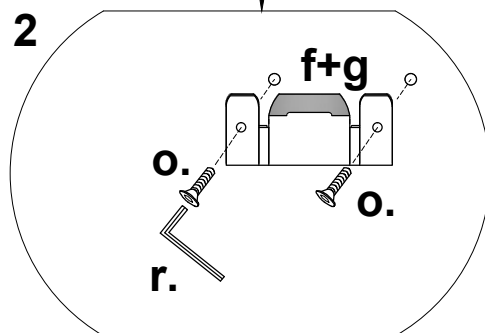
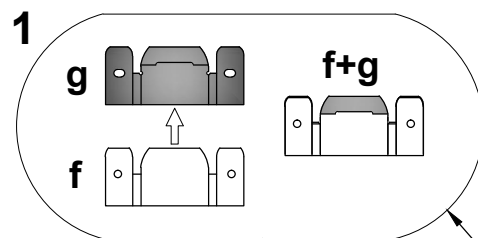
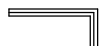
g. x 2



o. x 4 M6x25



r. x 1 "4"

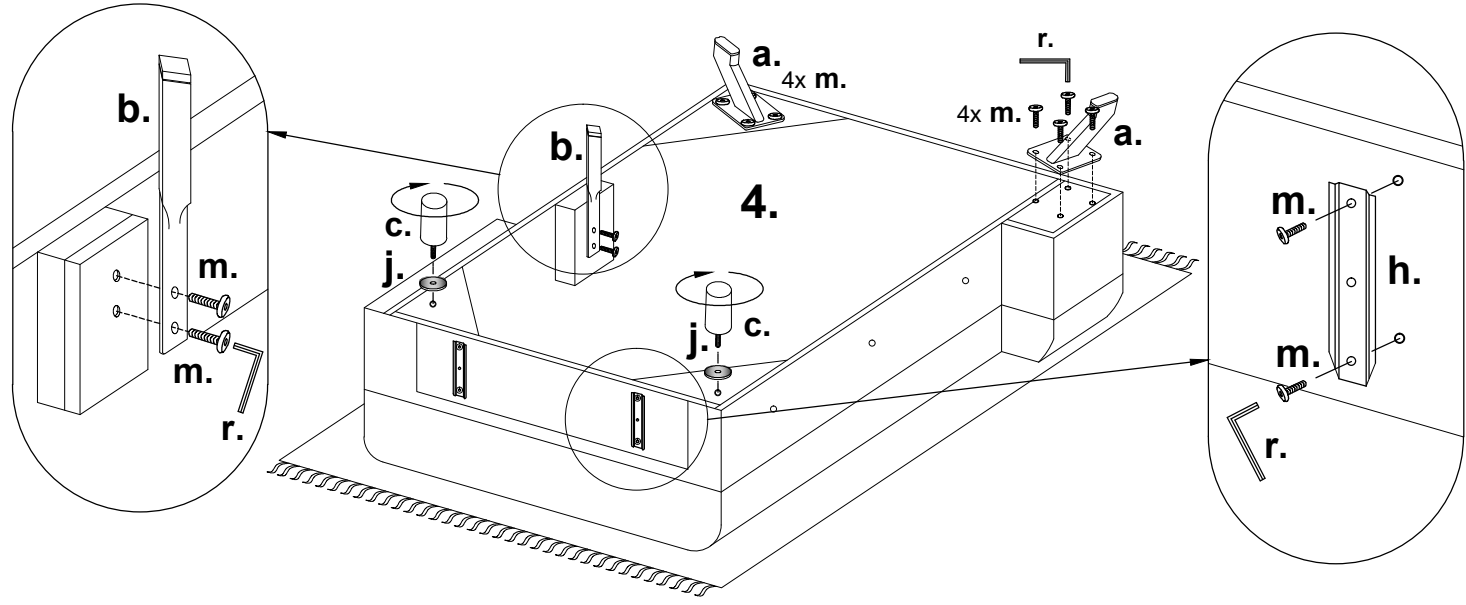
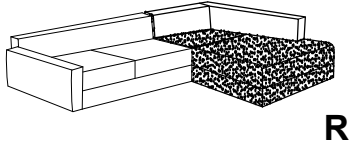


L

2019-04-24

MODEST corner

VII



a. x 2  h=120

b. x 1  220

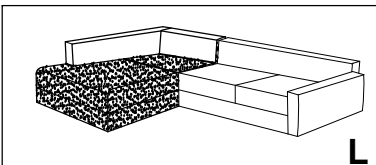
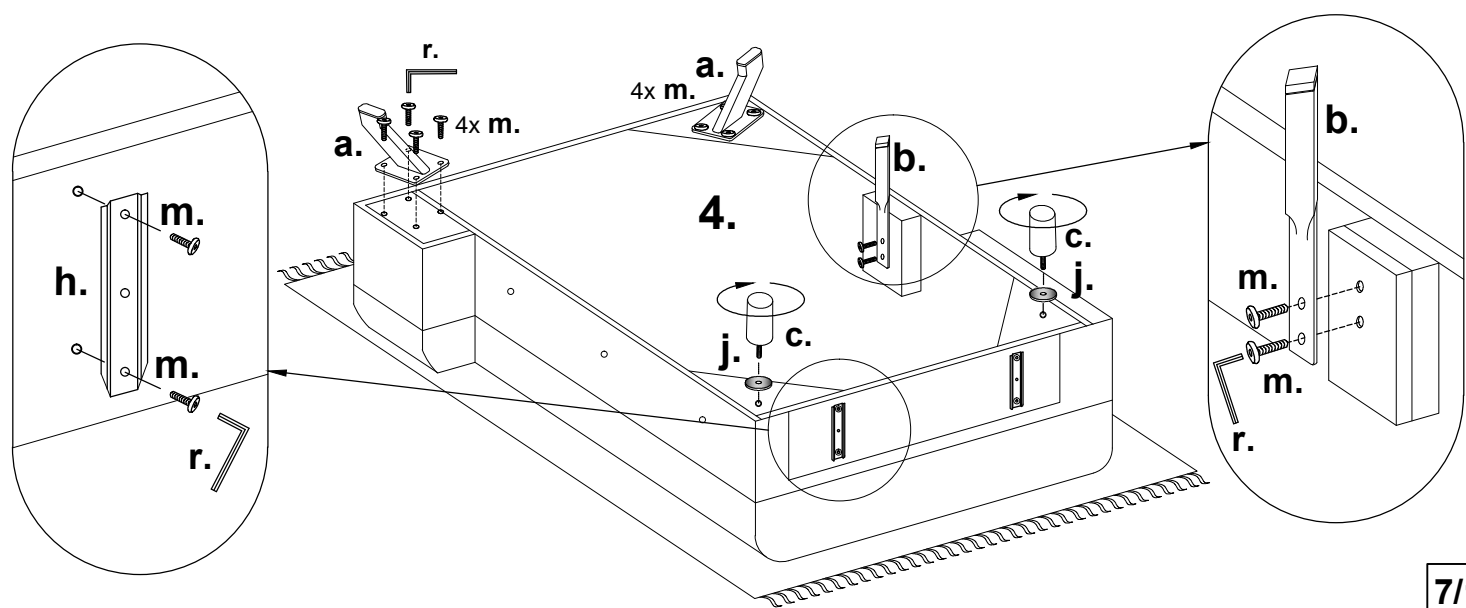
c. x 2  120

h. x 2 

m. x 10  M6x20

r. x 1  "4"

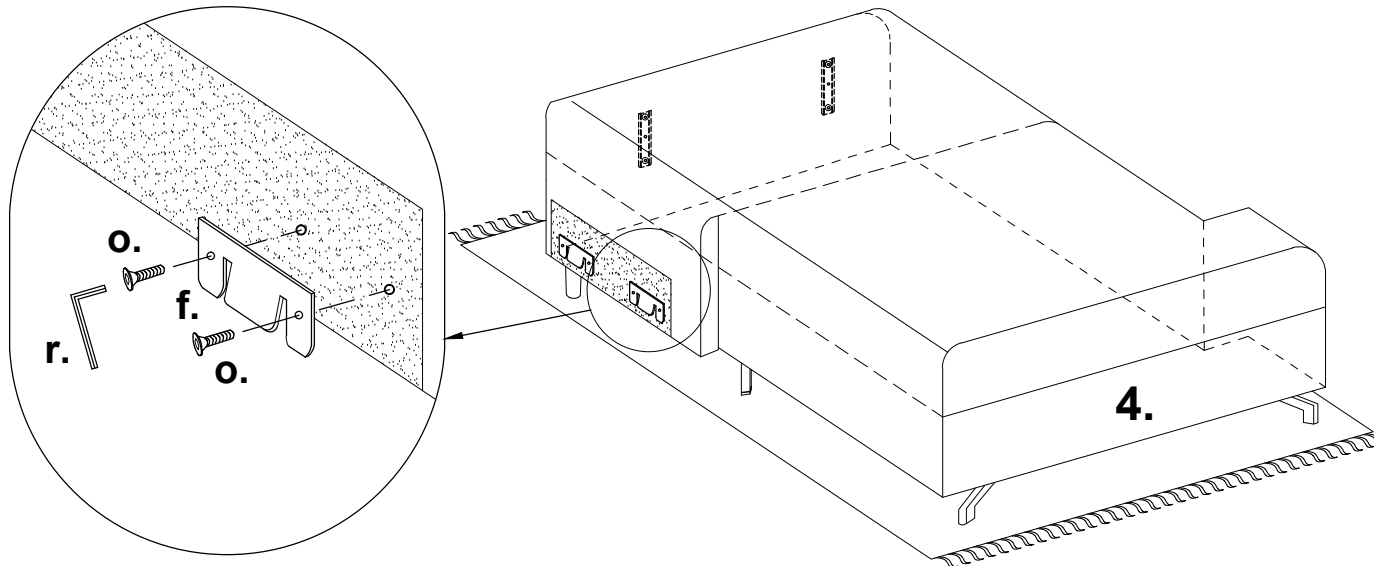
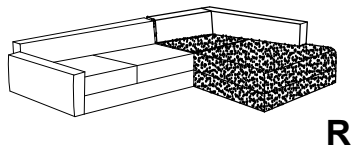
j. x 2  Ø50x3



2019-04-24

MODEST corner

VIII



f. x 2



o. x 4

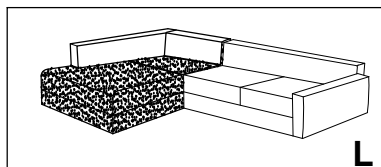
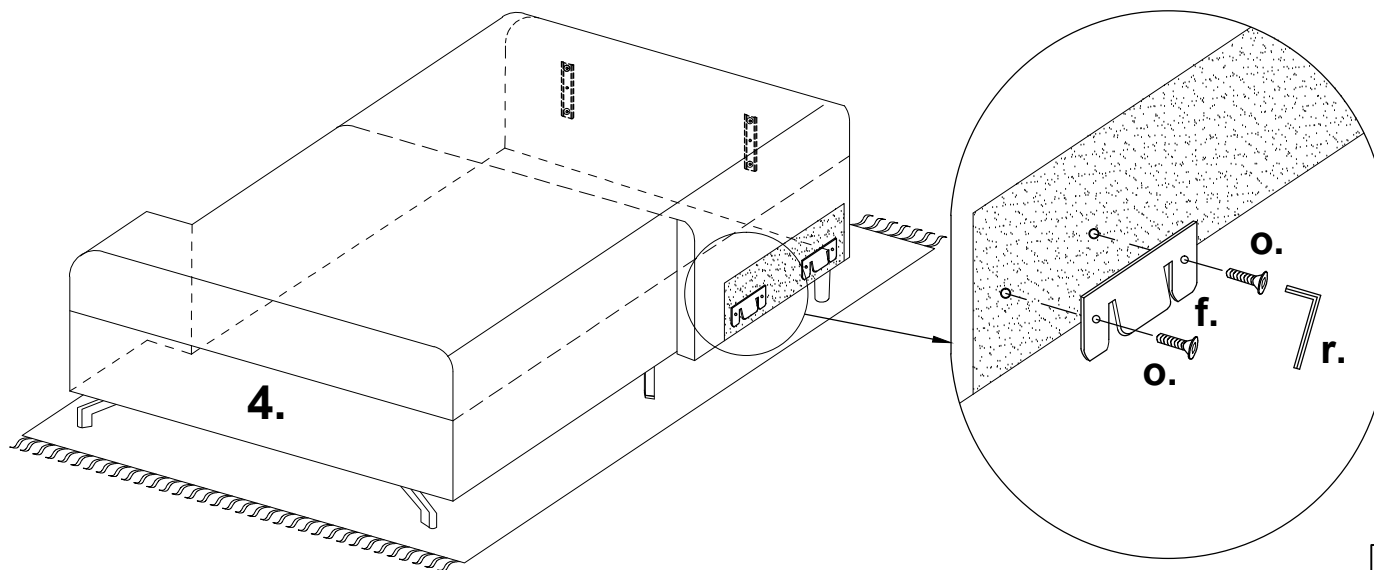


M6x25

r. x 1



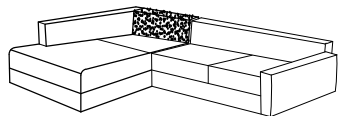
"4"



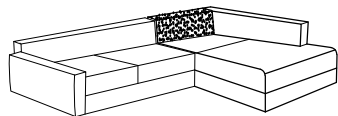
2019-04-24

MODEST corner

IX

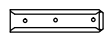


L



R

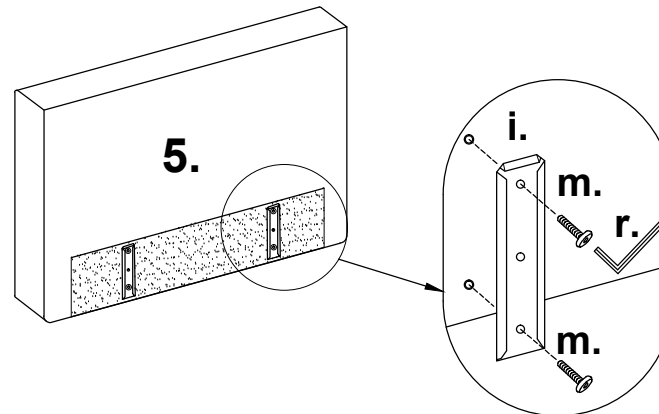
i. x 2



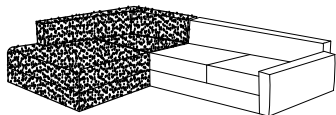
m. x 4 M6x20



r. x 1 "4"

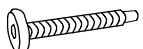


X



L

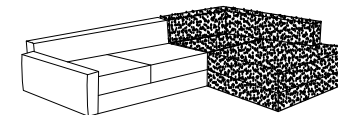
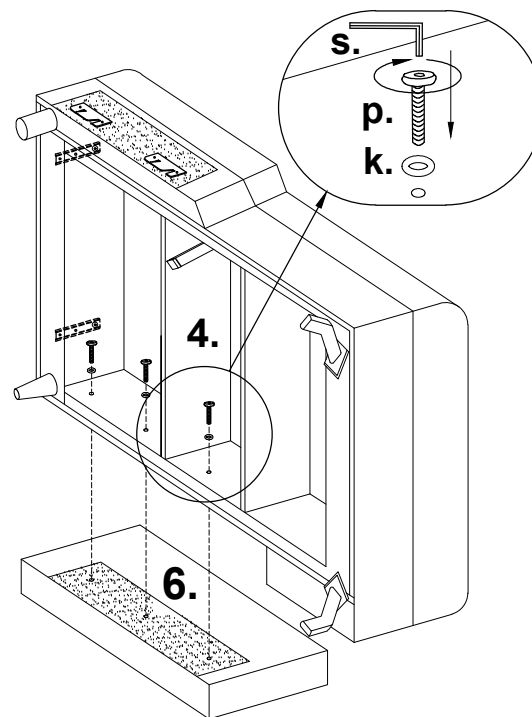
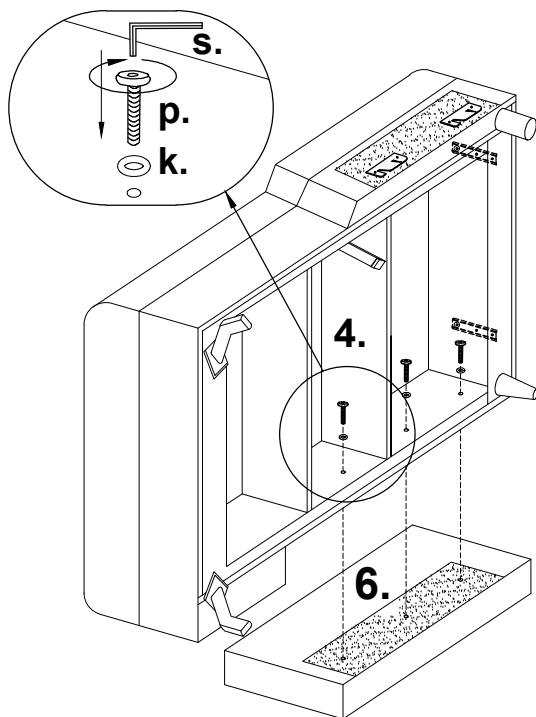
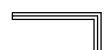
p. x 3 M8x55



k. x 3 Ø8

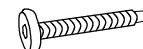


s. x 1 "5"



R

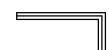
p. x 3 M8x55



k. x 3 Ø8



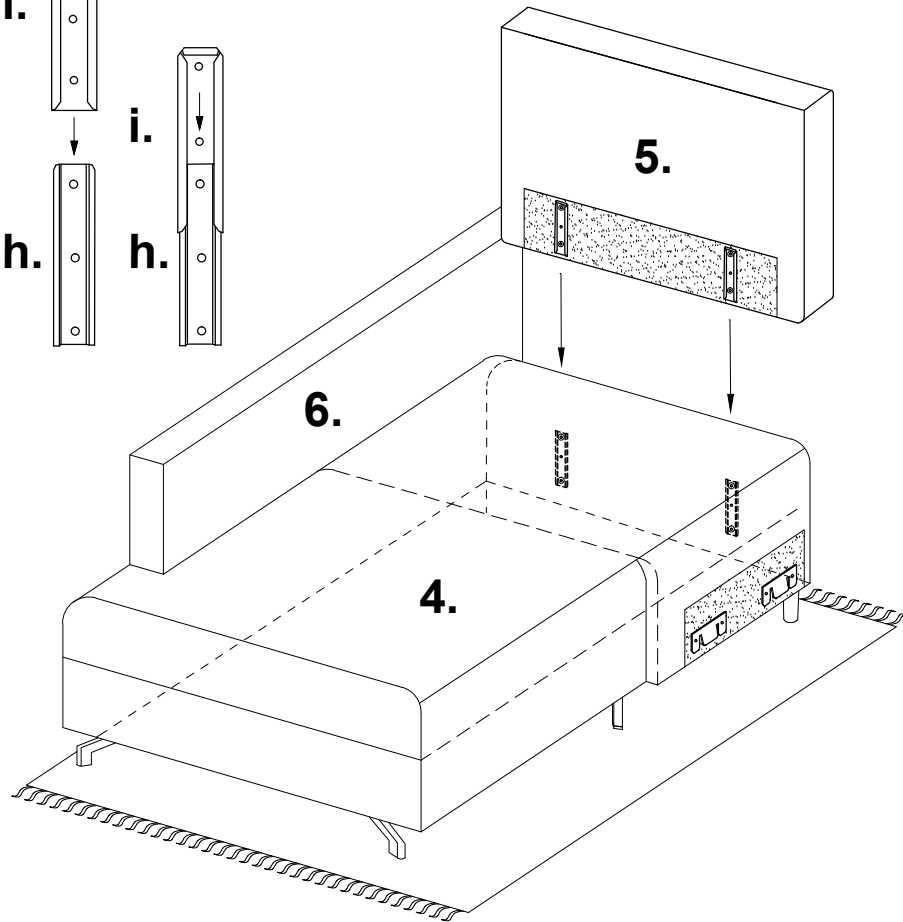
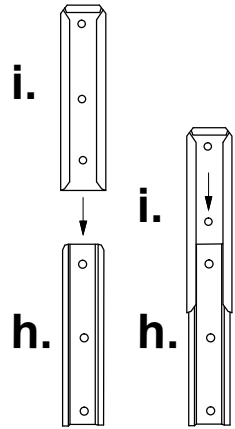
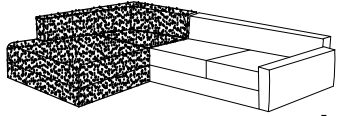
s. x 1 "5"



2019-04-24

MODEST corner

XI



XI

